

**Features**

- Metal construction
- Brass valve bodies
- Quarter-turn washerless ceramic disc valves
- Pop-up drain with tailpiece
- Flexible connections for easy installation
- Lever handles are ADA compliant
- For 8" (20.3 cm) or 16" (40.6 cm) centers
- 5-1/8" (13 cm) spout reach
- Stationary spout
- 1.5 gallons (5.7 liters) per minute maximum flow rate

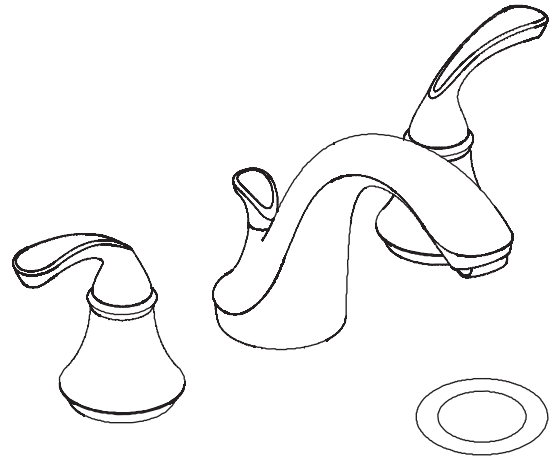
**WIDESPREAD LAVATORY FAUCET  
K-10272  
ALSO K-10273**



**Codes/Standards Applicable**

Specified model meets or exceeds the following at date of manufacture:




- ADA
- ASME A112.18.1/CSA B125.1
- NSF 61
- Energy Policy Act of 1992
- EPA WaterSense®
- All applicable US Federal and State material regulations



**Colors/Finishes**

- CP: Polished Chrome
- Other: Refer to Price Book for additional colors/finishes

**Specified Model**

Model	Description	Sculpted Handle		Traditional Handle		Script Handle	
		 ADA	<input type="checkbox"/> CP <input type="checkbox"/> Other ____	 ADA	<input type="checkbox"/> CP <input type="checkbox"/> Other ____	 ADA	<input type="checkbox"/> CP <input type="checkbox"/> Other ____
K-10272-4	Widespread lavatory faucet – metal drain (shown)	<input type="checkbox"/> CP	<input type="checkbox"/> Other ____				
K-10272-4A	Widespread lavatory faucet – metal drain			<input type="checkbox"/> CP	<input type="checkbox"/> Other ____		
K-10272-4G	Widespread lavatory faucet – metal drain					<input type="checkbox"/> CP	<input type="checkbox"/> Other ____
K-10273-4	Widespread lavatory faucet – plastic drain (shown)	<input type="checkbox"/> CP	<input type="checkbox"/> Other ____				
K-10273-4A	Widespread lavatory faucet – plastic drain			<input type="checkbox"/> CP	<input type="checkbox"/> Other ____		

**Product Specification**

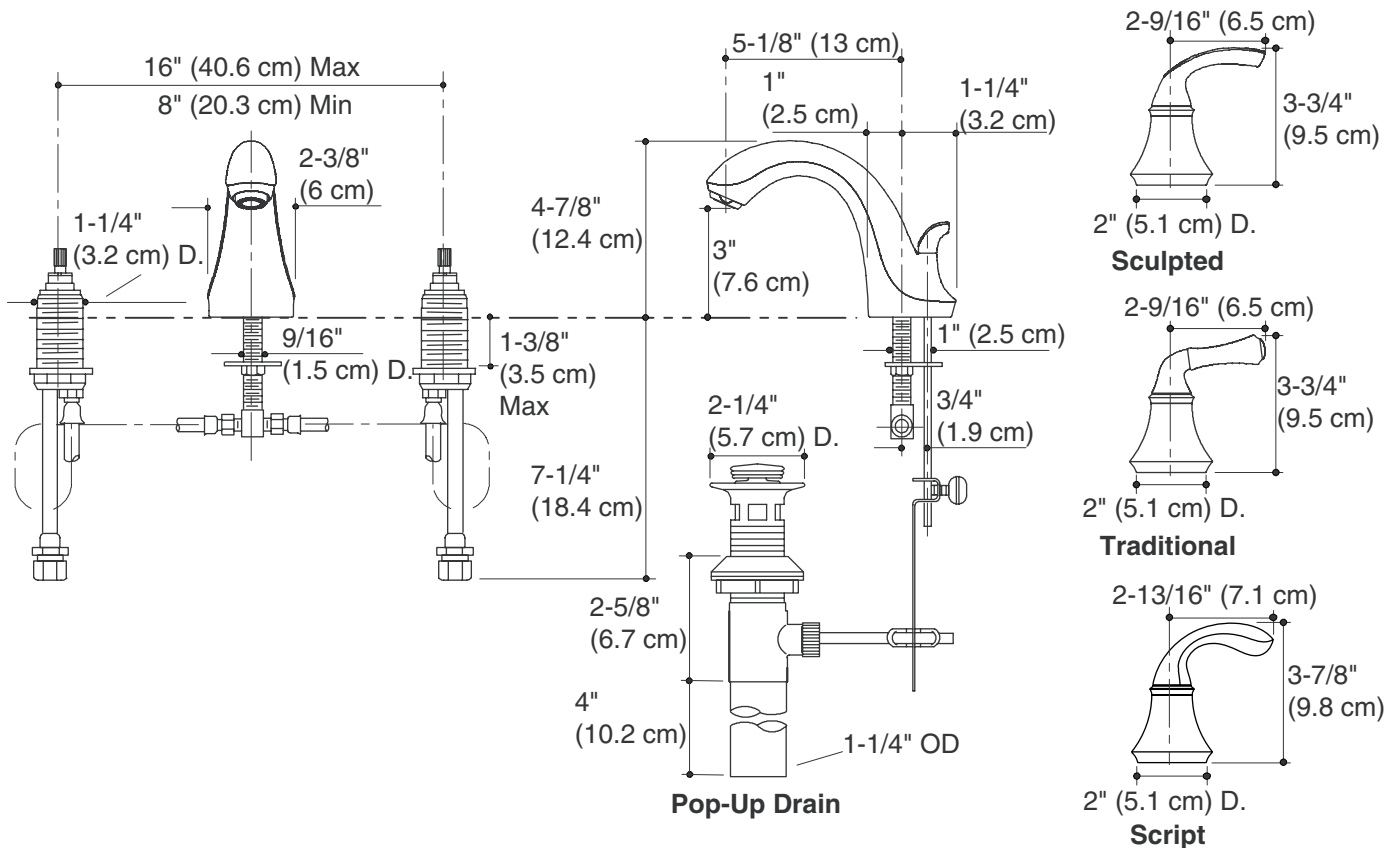
The two-handle widespread lavatory faucet shall be of metal construction with brass valve bodies. Product shall have a maximum flow rate of 1.5 gallons (5.7 L) per minute. Product shall feature quarter-turn washerless ceramic disc valves, flexible connections for easy installation, lever handles which are ADA compliant, stationary spout, a 5-1/8" (13 cm) spout reach, pop-up drain with lift rod and tailpiece, and be for 8" (20.3 cm) or 16" (40.6 cm) centers. Faucet shall be Kohler Model K-\_\_\_\_-\_\_\_\_.

# FORTÉ®

Optional Accessories		
40003	Wrench for long-stemmed ceramic valve bodies	<input type="checkbox"/> NA
—	Additional flow options are available (refer to the Kohler Price Book)	<input type="checkbox"/> NA

## Installation Notes

Install this product according to the installation guide.



## Product Diagram